

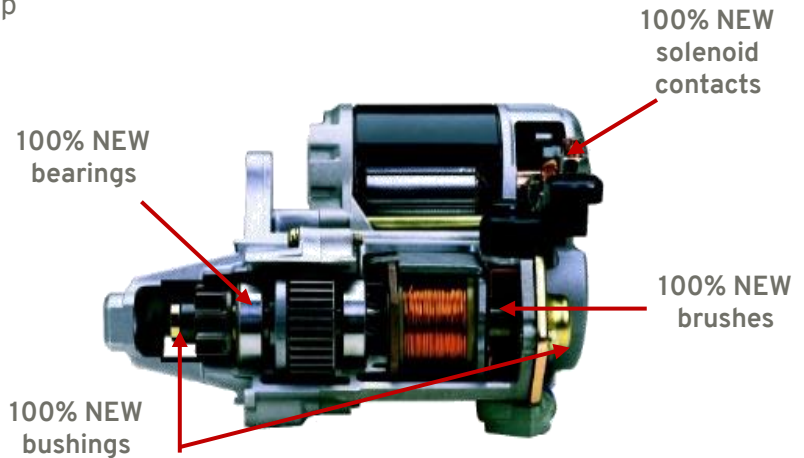
Starters and Alternators - Reman

ACDelco Professional remanufactured starters and alternators are high-quality alternative to OE parts. These parts are manufactured to meet expectations for fit, form and function making them a smart choice for General Motors vehicles, as well as most other makes and models. These high-quality starters and alternators are backed by General Motors.

- Approx. 2,700 SKUs with an application mix of 20% GM and 80% non-GM
- 100% Performance-tested and inspected to help meet your expectations for quality design and component specifications

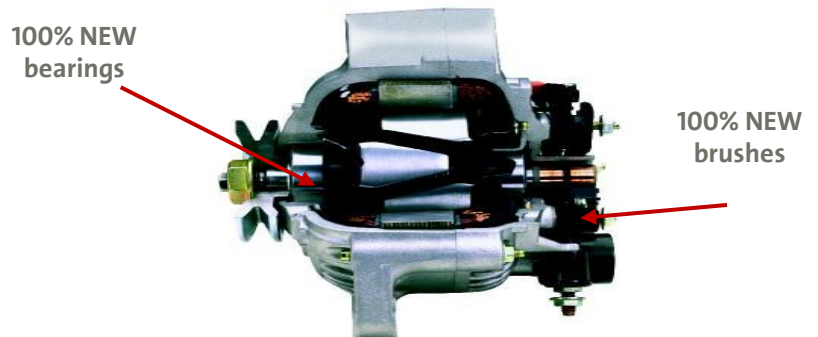
REMAN STARTERS

- Starters have bronze sintered, oil-impregnated bushings and the solenoid contacts have copper terminals and plated hardware
- NEW brushes on all starters & alternators
- NEW solenoids on many top selling starters
- NEW solenoid contacts and armature support bushings on all starters



REMAN ALTERNATORS

- Alternators use high-quality bearings with high-temp lube and double-lipped rubber seals while rotors and stators are electronically tested and sealed with secondary insulating coating
- NEW brushes on all starters & alternators
- NEW bearings on all alternators
- NEW regulators on many top selling alternators



ACDelco Reman Tech Hotline provides installation, technical & vehicle application support (800) 228-9672

Open Mon-Fri 8:30AM-8PM EST Sat-Sun 9AM-5:30PM EST

Ask your local ACDelco Distributor or sales representative for additional training classes

24 Month/Unlimited Mile Limited Warranty: Our most common Parts Warranty offers coverage on the majority of our Genuine GM Parts and ACDelco service replacement parts. Effective on parts purchased April 1, 2018 and later to the original retail purchaser. Contact seller for limited warranty part details, qualifications, and possible labor coverage.



33-SS-0640-20EL